

*Ferribiella*  
since 1980



# *Grooming* Catalogue



**SPAZZOLA CARDATORE PREMIUM**

PREMIUM SLICKER BRUSH  
BROSSE CARDEUR PREMIUM  
PINSEL KREMPLER PREMIUM  
CEPILLO CARDADOR PREMIUM



SMALL

**78498-101**



5 060134 333288

LARGE

**78498-104**



5 060134 333301

**SPAZZOLA PREMIUM CON PUNTE RICOPERTE IN METALLO**

METAL TIPS PREMIUM SLICKER BRUSH  
BROSSE PREMIUM AVEC CONSEILS MÉTALLIQUES  
PINSEL PREMIUM MIT METALLSPITZEN  
CEPILLO PREMIUM DE PÚAS DE METAL



SMALL

**78498-110**



5 060134 333363

LARGE

**78498-111**



5 060134 333387

**SPAZZOLA PREMIUM CON PUNTE RICOPERTE IN PLASTICA**

PREMIUM SLICKER BRUSH WITH NYLON TIPS  
BROSSE PREMIUM AVEC CONSEILS EN NYLON  
PINSEL PREMIUM MIT NYLON TIPPS  
CEPILLO PREMIUM DE PÚAS DE PLASTICO



SMALL

**78498-106**



5 060134 333325

LARGE

**78498-107**



5 060134 333349



**SPAZZOLA SETOLA PREMIUM**  
PREMIUM BRISTLE BRUSH  
BROSSE HÉRISSENT PREMIUM  
BORSTENPINSEL PREMIUM  
CEPILLO DE CERDAS PREMIUM



SMALL

**78498-112**



5 060134 333400

LARGE

**78498-113**



5 060134 333424

**TAGLIANODI PREMIUM**  
PREMIUM BLADE CUTTER  
NOEUDS DE TAILLE PREMIUM  
ENTFILZUNGS-MESSER PREMIUM  
CORTADOR DE NUDOS PREMIUM



SMALL

**78498-500**



5 060134 333462

LARGE

**78498-502**



5 060134 333486

**TAGLIA UNGHIE PREMIUM**  
PREMIUM NAIL CLIPPERS  
COUPE ONGLES PREMIUM  
NAGELKNIPSER PREMIUM  
CORTAUÑAS PREMIUM



**78498-300**



5 060134 333448

**FORBICI PER SFOLTIRE**

THINNING SCISSORS  
CISEAUX AMINCISSEMENT  
SCHERE VERDUNNUNG  
TIJERAS DE ENTRESACAR



EASY  
17cm

**PF130**



8 014302 213060

DOUBLE  
18cm

**PF131**



8 014302 213077

**FORBICI PER MANCINI IN ACCIAIO**

LEFT-HANDED STEEL SCISSORS  
CISEAUX À GAUCHE IN ACIER  
LINKSHÄNDER-SCHEREN STHAL  
TIJERAS EN ACERO PARA ZURDOS



20cm

**PF132**



8 014302 213084

**FORBICE CURVA IN ACCIAIO**

CURVED STEEL SCISSOR  
CISEAUX COURBE IN ACIER  
GEBOGENES SCHEREN STHAL  
TIJERA EN ACERO CURVA



19cm

**PF133**



8 014302 213091

21,5cm

**PF134**



8 014302 213107

**FORBICE DRITTA**  
 SCISSOR STRAIGHT  
 CISEAUX DROITE  
 SCHERE STRAIGHT  
 TIJERA RECTA



18cm

20cm

**PF103**

**PF104**



8 014302 245450

8 014302 245467

**FORBICE PER SFOLTIRE**  
 SCISSORS FINE TOOTH  
 CISEAUX DENTURE FINE  
 SCHERE FEINGEZAHNT  
 TIJERA DE ESCULPIR



singola  
 16,5cm

doppia  
 16,5cm

**PF101**

**PF102**



8 014302 245436

8 014302 245443

**FORBICE CURVA**  
SCISSOR CURVE  
COURBE CISEAUX  
SCHERE KURVE  
TIJERA CURVA



20cm

**PF105**



8 014302 245474



**FORBICE DIAMOND**  
DIAMOND SCISSOR  
CISEAUX DIAMOND  
SCHERE DIAMOND  
TIJERA DIAMOND



19cm

**PF100**



8 014302 245429



**FORBICI**  
 SCISSORS  
 CISEAUX  
 SCHERE  
 TIJERAS



20 cm

FORBICE PESANTE CURVA  
 SCISSOR HEAVY CURVE  
 COURBE LOURD CISEAUX  
 SCHEREN SCHWERE KURVE  
 TIJERA CURVA

**78799-180**



0 34264 42241 4

20 cm

FORBICE PESANTE DRITTA  
 SCISSOR HEAVY STRAIGHT  
 CISEAUX LOURD DROITE  
 SCHEREN SCHWERE STRAIGHT  
 TIJERA RECTA

**78799-200**



0 34264 42243 8

20 cm

FORBICI CONVESSE SINISTRE CURVE  
 SCISSOR LEFT CONVEX CURVES  
 CISEAUX COURBES CONVEXES GAUCHE  
 SCHEREN LINKS KONVEXE KURVEN  
 TIJERAS CURVAS PARA ZURDOS

**78799-220**



0 34264 42245 2

25 cm

FORBICE PESANTE CURVA  
 SCISSOR HEAVY CURVE  
 COURBE LOURD CISEAUX  
 SCHEREN SCHWERE KURVE  
 TIJERA CURVA

**78799-190**



0 34264 42242 1

25 cm

FORBICE PESANTE DRITTA  
 SCISSOR HEAVY STRAIGHT  
 CISEAUX LOURD DROITE  
 SCHEREN SCHWERE STRAIGHT  
 TIJERA RECTA

**78799-210**



0 34264 42244 5

20 cm

FORBICE DIRITTA PER MANCINI  
 LEFT HAND STRAIGHT SCISSOR  
 CISEAUX DROIT GAUCHER  
 SCHEREN STRAIGHT LINKE HAND  
 TIJERAS RECTA PARA ZURDOS

**78799-230**



0 34264 42246 9

**FORBICE PER SFOLTIRE DENTI FINI**

SCISSORS FINE TOOTH  
 CISEAUX DENTURE FINE  
 SCHERE FEINGEZAHNT  
 TIJERA DE ENTRESACAR DIENTES FINOS



45  
 Denti / teeth

**78799-150**



0 34264 42238 4

**Oster**

**FORBICE NERA DRITTA**

BLACK STRAIGHT SCISSOR  
DROITE NOIRE  
SCHWARZ GERADEN  
TIJERA RECTA NEGRA

20 cm

**78799-330**



**FORBICE TITANIUM BLU DRITTA**

BLUE STRAIGHT SCISSOR  
DROITE BLEU  
BLAU GERADEN  
TIJERA RECTO AZUL

15,5 cm

**78799-420**



**FORBICE PER SFOLTIRE**

THINNING SCISSOR  
AMINCISSEMENT  
VERDÜNNUNG  
TIJERA DE ESCULPIR

45

Denti / teeth

**78799-450**





**FORBICE**  
SCISSORS  
CISEAUX  
SCHERE  
TIJERAS

24cm

**PF170**



**FORBICE ECO**  
SCISSORS ECO  
CISEAUX ECO  
SCHERE ECO  
TIJERA ECO

18cm

**PF320**



**FORBICE PER RIFINITURE**  
REFINE SCISSORS  
CISEAUX À FINIR  
SCHEREN ZU BEENDEN  
TIJERA PARA REMATAR

16cm

**PF151**



**COLTELLI STRIPPING**  
STRIPPING KNIFE  
COUTEAU DÉPOUILLANT  
STRIEGEL  
PEINES STRIPPING



Corto/Short

**PG001**



16  
Denti/teeth

**PG016**



17  
Denti/teeth

**PG017**



18  
Denti/teeth

**PG018**



20  
Denti/teeth

**PG020**



23  
Denti/teeth

**PG023**





**TAGLIANODI ALCOSO**  
 ALCOSO BLADE CUTTER  
 NOEUDS DE TAILLE ALCOSO  
 ENTFILZUNGS-MESSER ALCOSO  
 CORTADOR DE NUDOS ALCOSO



6 lame/blades

**PG902**



8 014302 130015



8 lame/blades

**PG903**



8 014302 130022



10 lame/blades

**PG904**



8 014302 130039



12 lame/blades

**PG905**



8 014302 130046



16 lame/blades

**PG906**



8 014302 130053



20 lame/blades

**PG907**



8 014302 130060

**RICAMBIO/REPLACEMENT/REPLACEMENT/ERSATZ/RECAMBIO**

6 lame/blades

**PG902R**



8 014302 144692

8 lame/blades

**PG903R**



8 014302 144708

10 lame/blades

**PG904R**



8 014302 144715

12 lame/blades

**PG905R**



8 014302 144722

16 lame/blades

**PG906R**



8 014302 144739

20 lame/blades

**PG907R**



8 014302 144746

## COLTELLI STRIPPING MANICO PLASTICA

PLASTIC HANDLE STRIPPING KNIFE  
COUTEAU DÉPOUILLANT POIGNÉE EN PLASTIQUE  
STRIEGEL KUNSTSTOFFGRIFF  
PEINES STRIPPING MANIJA DE PLASTICO

# AESCULAP

**AMBIDESTRO/AMBIDEXTROUS/AMBIDEXTRE/BEIDHÄNDIG/AMBIDEXTRO**

### INOX



195mm

**PG301**



8 014302 240387

**DENTATURA MOLTO FINE/VERY FINE TEETH/  
TRÈS FINES DENTS/SEHR FEINE ZÄHNE/DIENTES  
MUY FINOS**



190mm

**PG302**



8 014302 240394

**DENTATURA FINE/FINE TEETH  
FINES DENTS/FEINE ZÄHNE  
DIENTES FINOS**



190mm

**PG303**



8 014302 240400

**DENTATURA MEDIA/MEDIUM TEETH  
MOYENNE DENTS/DURCHSCHNITT ZÄHNE  
DIENTES PROMEDIO**



190mm

**PG304**



8 014302 240417

**DENTATURA LARGA/LARGE TEETH  
GRAND DENTS/GROSS ZÄHNE  
DIENTES GRANDE**

**RIALZI UNIVERSALI IN ACCIAIO**

STAINLESS STEEL COMB ATTACHED  
 PEIGNE DETACHED EN ACIER INOX  
 ERHÖHT UNIVERSAL STAHL  
 RECALCES UNIVERSALES EN ACERO

1,6mm <b>78936-696</b> 	9,5mm <b>78936-620</b> 	13mm <b>78936-826</b> 	16mm <b>78936-630</b> 
18mm <b>78936-636</b> 	22mm <b>78936-640</b> 	25mm <b>78936-646</b> 	32mm <b>78936-656</b> 
38mm <b>78936-606</b> 	50mm <b>78936-616</b> 	SET 10pz/pcs 16x16x27,3cm <b>78936-100</b> 	

1,6mm/9,5mm/13mm/16mm/18mm  
 22mm/25mm/32mm/38mm/50mm

**RIALZI UNIVERSALI IN PLASTICA**

PLASTIC COMB ATTACHED  
 PEIGNE DETACHED EN PLASTIQUE  
 ERHÖHT UNIVERSAL KUNSTSTOFF  
 RECALCES UNIVERSALES EN PLASTICO

2 mm <b>76926-696</b> 	3 mm <b>76926-606</b> 	6 mm <b>76926-616</b> 	13 mm <b>76926-626</b> 	18 mm <b>76926-636</b> 	25 mm <b>76926-646</b> 

## GOLDEN A5

TOSATRICE PROFESSIONALE PER ANIMALI 2 VELOCITÀ  
PROFESSIONAL ANIMAL CLIPPER 2 SPEED  
TONDEUSE PROFESSIONNELLE ANIMALE À 2 VITESSES  
PROFESSIONNELLE TIERSCHERMASCHINE 2-GANG  
MÁQUINA CORTAPELO PROFESIONAL 2 VELOCIDADES

- dimensioni: L 17 x P 5 x H 5 cm
- dispone di sistema a testine intercambiabili
- semplice e rapido
- motore universale silenzioso
- motore potente e ad alto rendimento per prestazioni di lunga durata:3.300 oscillazioni/ minuto
- tosatrice elettrica progettata per un uso continuo
- idonea per la tosatura professionale
- la confezione contiene uno spazzolino pulisci-lama, grasso lubrificante per gli ingranaggi e un olio per la pulizia della testina di taglio

- dimensions: L 17 x P 5 x H 5 cm
- It is equipped with interchangeable heads
- Simple and fast
- silent universal motor
- Powerful and high performance engine for long-lasting performance: 3,300 oscillations / minute
- electric drive designed for continuous use
- suitable for professional grinding
- the package contains a brush-cleaner brush, grease lubricant for gears and a cutting head oil

- dimensiones: L 17 x P 5 x 5 cm H
- dispone de sistema de cabezas intercambiables
- , un simple y rápido
- motor universal silencio
- motor potente y de alto rendimiento a largo plazo rendimiento: 3.300 oscilaciones / minuto
- tosatrice eléctrico diseñado para uso continuo
- idonea para la esquila profesional
- paquete -el contiene un cepillo de dientes cuchilla limpiador, grasa para los engranajes y un aceite lubricante para la limpieza de la cabeza de corte



78005-500



**45**  
**WATT**



## POWER PRO ULTRA

### TOSATRICE PROFESSIONALE SENZA FILO

- LA BATTERIA NI-MH DI AVANZATA TECNOLOGIA HA UNA DURATA DI 60 MINUTI
- (IL 50% DI DURATA IN PIÙ RISPETTO AL MODELLO PRECEDENTE)
- LA BATTERIA PUÒ ESSERE UTILIZZATA ANCHE SUL PRECEDENTE MODELLO POWERPRO
- OLTRE IL 15% PIÙ LEGGERA RISPETTO AL PRECEDENTE MODELLO POWERPRO
- IMPUGNATURA MORBIDA ED ANTISCIVOLO
- IL KIT COMPRENDE LA TOSATRICE CON 1 BATTERIA, SUPPORTO CARICA-BATTERIA (MOLTO LEGGERO), BAULETTO IN ALLUMINIO, OLIO E SPAZZOLA DI PULIZIA.
- LE LAME DEI MODELLI A5® E 97-44 SONO COMPATIBILI
- DISPONIBILI LAME ADATTE A CAVALLI E CANI DI GROSSA TAGLIA

### PROFESSIONAL CORDLESS HEAVY DUTY CLIPPER

- ADVANCED NI-MH BATTERY TECHNOLOGY PROVIDES UP TO 60 MINUTES RUNNING TIME
- BATTERY CAN BE USED ON PREVIOUS POWERPRO MODEL
- OVER 15% LIGHTER THAN PREVIOUS POWERPRO
- SOFT TOUCH FOR NON-SLIP, COMFORTABLE GRIP
- KIT INCLUDES CLIPPER WITH 1 BATTERY, LIGHT WEIGHT CHARGING STAND,
- ALUMINUM CARRYING CASE, OIL AND CLEANING BRUSH
- COMPATIBLE WITH ALL A5® AND 97-44 DETACHABLE BLADES
- WIDE BLADES AVAILABLE (ESPECIALLY FOR CLIPPING HORSES AND LARGE DOGS)

### MÁQUINA CORTAPELO PROFESIONAL SIN CABLE

- BATERIAS DE NI-MH, CON NUEVA TECNOLOGIA, QUE PROPORCIONAN MÁS DE 60 MINUTOS
- DE USO CONTINUADO (INCREMENTO DEL 50% SOBRE EL MODELO ANTERIOR)
- ESTAS NUEVAS BATERÍAS PUEDEN USARSE EN EL MODELO POWERPRO ANTERIOR
- 15% MAS LIGERA QUE LA POWERPRO ANTERIOR
- TACTO SUAVE, ANTIDESLIZANTE PARA UN AGARRE CONFORTABLE
- EL KIT INCLUYE LA ESQUILADORA CON UNA BATERÍA, UN CARGADOR DE SOBREMESA,
- UNA CAJA DE ALUMINIO PARA TRANSPORTE, ACEITE Y CEPILLO DE LIMPIEZA COMPATIBLE CON TODAS LAS CUCHILLAS A5Y 97-44
- CUCHILLAS EXTRA-ANCHAS DISPONIBLES (ESPECIALES PARA PERROS GRANDES Y CABALLOS)



78400-020



0 34264 42361 9

ADATTATORE  
ADAPTER / ADAPTATEUR  
ADAPTER / ADAPTADOR

78400-950



0 34264 42700 6

ricambio/replacement  
BATTERIA  
BATTERY / BATTERIE  
AKKU / BATERÍA

20362-000



8 014302 182519



**TOOLS**



118ml

BOTTIGLIA OLIO  
OIL BOTTLE  
BOUEILLE D'HUILE  
ÖL-FLASCHE  
BOTELLA DE ACEITE



14,8ml

TUBO OLIO  
OIL TUBE  
TUYAU D'HUILE  
ROHR ÖL  
TUBO DE ACEITE



35,4g

TUBO GRASSO  
TUBE FAT  
TUYAU GRAISSE  
ROHR FETT  
TUBO DE GRASA



532ml

LIQUIDO PULISCI LAME  
CLEAN BLADES  
NETTOYER LAMES  
SAUBERE KLINGEN  
LIMPIADOR DE CUCHILLAS



255g / 400ml

SPRAY KOOL LUBRIFICANTE  
KOOL LUBE  
LUBRIFICATION KOOL  
SCHMIERWIRKUNG KOOL  
LUBRICANTE KOOL



100ml

SPRAY DISINFETTANTE  
DISINFECTANT SPRAY  
SPRAY DESINFECTANT  
DESINFEKTIONSSPRAY  
SPRAY DESINFECTANTE





## LAME OSTER

OSTER BLADES

LAME OSTER

OSTER KLINGEN

CUCHILLAS OSTER



0,2 mm

**78919-006**



0 34264 41652 9



0,25 mm

**78919-016**



0 34264 41651 2



0,5 mm

**78919-026**



0 34264 41650 5



1,2 mm

**78919-036**



0 34264 41649 9



1,5 mm

**78919-046**



0 34264 41648 2



3,2 mm

**78919-056**



0 34264 41654 3



6,3 mm

**78919-066**



0 34264 41647 5



0,8 mm

**78919-106**



0 34264 41646 8



0,8 mm

**78919-116**



0 34264 41645 1



9,5 mm

**78919-136**



2,8 mm

**78919-146**



3,2 mm

**78919-166**



6,3 mm

**78919-176**



9,5 mm

**78919-186**



2 mm

**78919-196**



13 mm

**78919-206**



13 mm

**78919-226**



24 mm

**78919-446**



## TOSATRICE HEINIGER 120 WATT

HEINIGER CLIPPER 120 WATT  
 TONDEUSE HEINIGER 120 WATT  
 HEINIGER SCHERMASCHINE 120 WATT  
 MAÀQUINA CORTAPELO HEINIGER 120 WATT



**120  
WATT**

310mm  
1250g

**PTT250**



## TOSATRICE HEINIGER

HEINIGER CLIPPER  
 TONDEUSE HEINIGER  
 HEINIGER SCHERMASCHINE  
 MÀQUINA CORTAPELO HEINIGER



**320  
WATT**

350mm  
1530g

**PTT250A**



**LAME HEINIGER**  
 HEINIGER BLADES  
 LAMES HEINIGER  
 HEINIGER KLINGEN  
 CUCHILLAS HEINIGER



18-23  
 DENTI/TEETH/DENTS  
 ZÄHNE/DIENTES



21-23  
 DENTI/TEETH/DENTS  
 ZÄHNE/DIENTES



31-15  
 DENTI/TEETH/DENTS  
 ZÄHNE/DIENTES



35-17  
 DENTI/TEETH/DENTS  
 ZÄHNE/DIENTES



# TOSATRICE FUSS-DOG EVOLUTION

FUSS DOG EVOLUTION CLIPPER  
TONDEUSE FUSS DOG EVOLUTION  
SCHERKOPF FUSS DOG EVOLUTION  
MÀQUINA CORTAPELO FUSS DOG EVOLUTION

2500-3300 RPM

**45  
WATT**

+TESTINA/ HEAD: 2 MM

**PTT210**



8 014302 193973



# LAME FUSS-DOG

FUSS-DOG BLADES  
LAMES FUSS-DOG  
FUSS-DOG KLINGEN  
CUCHILLAS FUSS-DOG



0,2mm

**PTT301A**



8 014302 155261



1mm

**PTT301B**



8 014302 155278



2mm

**PTT301C**



8 014302 155285



4mm

**PTT301D**



8 014302 155292



6,5mm

**PTT301E**



8 014302 155308



9mm

**PTT301F**



8 014302 155315



13mm

**PTT301G**



8 014302 228255

**LAME FUSS-DOG**  
 FUSS-DOG BLADES  
 LAMES FUSS-DOG  
 FUSS-DOG KLINGEN  
 CUCHILLAS FUSS-DOG

**TOSATRICE FUSS DOG PRO 2 VELOCITA'**  
 FUSS DOG PRO CLIPPER, 2 SPEED  
 TONDEUSE FUSS DOG PRO, 2 VITESSES  
 KLINGE FUSS DOG PRO, 2 DREHZAHL  
 MÁQUINA FUSS DOG PRO, 2 VELOCIDADES

**2500-3300 RPM**

**44  
 WATT**

TESTINA / HEAD 1,6 mm

**PTT302**



0,5mm

**PTT302A**



1,2mm

**PTT302B**



2mm

**PTT302C**



1,5mm

**PTT302I**



3mm

**PTT302D**



6mm

**PTT302E**



9mm

**PTT302F**



13mm

**PTT302G**



16mm

**PTT302H**



## TESTINA IN CERAMICA E TITANIO

CERAMIC AND TITANIUM BLADES

LAME EN CÉRAMIQUE ET TITANE

KLINGE KERAMIK UND TITAN

HOJA DE CERÁMICA Y TITANIO



3mm

**PTT302M**



8 014302 193980



6mm

**PTT302N**



8 014302 193997



9mm

**PTT302O**



8 014302 194000



13mm

**PTT302P**



8 014302 194017



16mm

**PTT302Q**



8 014302 194024

**TOSATRICE PER ANIMALI**  
 CLIPPER FOR ANIMALS  
 TONDEUSE POUR ANIMAUX  
 KLINGE FÜR TIERE  
 MÁQUINA CORTAPELO PARA ANIMALES

**15**  
 WATT

**PTT204**



**TOSATRICE PROFESSIONALE 5 REGOLAZIONI**  
 PROFESSIONAL CLIPPER 5 SETTINGS  
 TONDEUSE PROFESSIONNELLE 5 REGLAGES  
 BERUFSKNIPSER 5 EINSTELLUNGEN  
 MÁQUINA CORTAPELO PROFESIONAL 5 AJUSTES

- 2 batterie + 3 rialzi + 2 lame incluse
- 2 batteries + 3 combs + 2 blades included
- 2 batteries + 3 peignes + 2 lames inclus
- 2 Batterien + 3 Käämme + 2 Klingen inbegriffen
- 2 baterías + 3 peines + 2 cuchillas incluidas

**PTT300**



**PTT300T**





# AESCULAP

## TOSATRICE AESCULAP FAVORITA II

AESCULAP CLIPPER FAVORED II  
TONDEUSE AESCULAP FAVORISÉE II  
SCHERKOPF AESCULAP FAVORISIERT II  
MÀQUINA CORTAPELO AESCULAP FAVORITA II

**2300 RPM**

650g

**35  
WATT**



lama non inclusa  
blade not included  
lame no inclus  
Klingen no inbegriffen  
cuchilla no incluida



## TOSATRICE AESCULAP FAVORITA II CL

AESCULAP CLIPPER FAVORED II CL  
TONDEUSE AESCULAP FAVORISÉE II CL  
SCHERKOPF AESCULAP FAVORISIERT II CL  
MÀQUINA AESCULAP FAVORITA II CL

**2300 RPM**

**45  
WATT**



475g



# AESCULAP

**LAME**  
BLADES  
LAMES  
KLINGEN  
CUCHILLAS



0,7mm

**PTT20**



4 038653 049127



1/2mm

**PTT203C**



4 038653 048915



1mm

**PTT201E**



4 038653 048946



1mm

**PTT203D**



4 038653 048496



2mm

**PTT201F**



4 038653 048519



2mm

**PTT201G**



4 038653 048977



3mm

**PTT201H**



4 038653 049042



5mm

**PTT201L**



4 038653 049073



7mm

**PTT201M**



4 038653 049103



9mm

**PTT201N**



4 038653 049165



12mm

**PTT201P**



4 038653 049196



16mm

**PTT201R**



4 038653 049219



1/10mm

**PTT201B**



4 038653 048472



1/20mm

**PTT201A**



4 038653 048458

# AESCULAP

**TOSATRICE AESCULAP FAVORITA 5 CL**  
AESCULAP CLIPPER FAVORED 5 CL  
TONDEUSE AESCULAP FAVORISÉE 5 CL  
SCHERKOPF AESCULAP FAVORISIERT 5 CL  
MÀQUINA CORTAPELO AESCULAP FAVORITA 5 CL

**2300 RPM**

lama 1,6mm inclusa  
1,6mm blade included  
lame 1,6mm inclus  
Klingen 1,6mm inbegriffen  
cuchilla 1,6mm incluida



**TOSATRICE AESCULAP FAVORITA 5 CL con cavo 230V**

AESCULAP CLIPPER FAVORED 5 CL with 230V cable  
TONDEUSE AESCULAP FAVORISÉE 5 CL avec wired 230V  
SCHERKOPF AESCULAP FAVORISIERT 5 CL mit kabelgebundene 230V  
MÀQUINA AESCULAP FAVORITA 5 CL con cable 230V

475g

**2300 RPM**



**disponibile su ordinazione**

**LAME AESCULAP SNAPON**  
 AESCULAP COMB SNAPON  
 LAME AESCULAP SNAPON  
 KLINGE AESCULAP SNAPON  
 CUCHILLAS AESCULAP SNAPON

**AESCULAP**



0,2mm

**PTT306A**



4 046963 091736



0,25mm

**PTT306B**



4 038653 474714



0,5mm

**PTT306C**



4 046963 091767



1,2mm

**PTT306D**



4 046963 091798



1,6mm

**PTT306E**



4 038653 474707



2mm

**PTT306F**



4 046963 091811



3,2mm

**PTT306G**



4 046963 091859



3,2mm

**PTT306H**



4 038653 474691



6,3mm

**PTT306I**



4 046963 091880



6,3mm

**PTT306L**



4 046963 091897



9,5mm

**PTT306M**



4 046963 091927



9,5mm

**PTT306N**



4 046963 091910

# Heiniger

**TOSATRICE HEINIGER SAPHIR**  
HEINGER CLIPPER  
TONDEUSE HEINIGER  
HEINIGER SCHERMASCHINE  
MÀQUINA CORTAPELO HEINIGER

2 batterie incluse  
2 batteries included  
2 batteries inclus  
2 Batterien inbegriffen  
2 baterías incluidas



**35**  
WATT



440g  
2650rpm

**PT307**



7 613073 035775



**35**  
WATT



440g  
2650rpm

**PT308**



7 613073 040106



**35**  
WATT



330g  
3200rpm

**PT309**



7 613073 039780

**LAME HEINIGER SAPHIR**  
 HEINIGER BLADES  
 LAMES HEINIGER  
 HEINIGER KLINGEN  
 CUCHILLAS HEINIGER



0,4mm



0,6mm



0,8mm



1,5mm



1,8mm



2mm



2,8mm



3,2mm



3,2mm



6mm



6mm



9,5mm



9,5mm



0,8mm



2,3mm





**TOSATRICE MOSER**

MOSER CLIPPER

TONDEUSE MOSER

KLINGE MOSER

MÀQUINA CORTAPELO MOSER

**2400 - 3000 RPM**

**45  
WATT**

520g

**PM1245**



lama inclusa  
blade included  
lame inclus  
Klingen inbegriffen  
cuchilla incluida



1mm

**PM1225C**



4 015110 003281



2mm

**PM1225D**



4 015110 004110



3mm

**PM1225E**



4 015110 004127



5mm

**PM1225G**



4 015110 003328



7mm

**PM1225H**



4 015110 001966



9mm

**PM1225I**



4 015110 001973



1/10mm

**PM1225B**



4 015110 003274



2,3mm LARGE

**PM1225F**



4 015110 001850

**TOSATRICE MOSER**

MOSER CLIPPER  
 TONDEUSE MOSER  
 KLINGE MOSER  
 MÀQUINA CORTAPELO MOSER

**10  
 WATT**

520g

**PM1170B**



4 015110 001164



LAMA DI RICAMBIO  
 REPLACEMENT BLADE  
 LAME DE RECHANGE  
 ERSATZKLINGE  
 CUCHILLA DE REPUESTO



**PM1170T**



8 014302 112943



**TOSATRICE OSTER ADVANCED**

OSTER ADVANCED SHEAR MACHINE  
 TONDEUSE OSTER ADVANCED  
 OSTER CLIPPERS VORGERÜCKT  
 MÀQUINA CORTAPELO OSTER AVANZADA

220-240V

**78701-010**



5 060134 333905



lama inclusa  
 blade included  
 lame inclus  
 Klängen inbegriffen  
 cuchilla incluida

LAMA DI RICAMBIO  
 REPLACEMENT BLADE  
 LAME DE RECHANGE  
 ERSATZKLINGE  
 CUCHILLA DE REPUESTO

**76913-506**



0 34264 40415 1





**SUPPORTO LAME TOSATRICE**

SUPPORT FOR CLIPPER BLADES  
SUPPORT POUR LAMES TONDEUSE  
UNTERSTÜTZUNG KLINGE CLIPPERS  
SOPORTE HOJAS MÁQUINA CORTAPELO

8 vani/sections  
23x6cm  
h 8cm

**PT313**



8 014302 216702



**CUBO PORTA FORBICI**

CUBE FOR SCISSORS  
CUBE POUR CISEAUX  
CUBE FÜR SCHEREN  
CUBO PARA TIJERAS

8x8cm  
h 10,5cm

**PT355**



8 014302 245375



**SUPPORTO PER FORBICI**

SCISSOR HOLDER  
SUPPORT POUR CISEAUX  
UNTERSTÜTZUNG FÜR SCHERE  
SOPORTE PARA TIJERAS

6 vani/sections  
24,5x13cm  
h 6,5cm

**PT314**



8 014302 216726



**CUSTODIA PORTA FORBICI PER CINTURA**

SCISSOR HOLSTER FOR BELT  
ÉTUI À CISEAUX POUR CEINTURE  
SCHERENHOLSTER FÜR GÜRTEL  
FUNDA PARA CINTURON PARA TIJERAS



**STERILIZZATORE A LUCE UV**

UV LIGHT STERILIZER  
STÉRILISATEUR A "UV"  
UV-LICHT STERILIZER  
ESTERILIZADOR LUZ ULTRAVIOLETTA

Durata trattamento (30-45 Minuti)  
220-240 V / 50-60 HZ / 8 W  
Vani (X2) 20x29,5x11 cm

Processing duration (30-45 Minutes)  
220-240 V / 50-60 HZ / 8 W  
Tanks (X2) 20x29,5x11 cm



**BARATTOLO POLVERE STATICA COAGULANTE - CANI E GATTI**

TIN POWDER STATIC COAGULANT - DOGS AND CATS  
COULEUR STATIQUE EN POUDRE - CHIENS ET CHATS  
TIN PULVER STATIC COAGULANT - HUNDE UND KATZEN  
BOTE POLVO ESTÁTICO COAGULANTE - PERROS Y GATOS

14g





**SEDIA CON SCHIENALE PER TOELETTATURA**

CHAIR WITH BACK TO GROOMING

CHAISE AVEC DOS À LA TOILETTE

STUHL MIT RÜCKEN ZUM PUTZEN

SILLA CON ESPALDAR PARA CORTE DE PELO

**PT356**



Ruote di qualità  
Quality wheels

**VALIGETTA ALLUMINIO PROFESSIONALE**

CASE ALUMINUM PROFESSIONAL

CASE ALUMINIUM PROFESSIONNEL

CASE ALUMINIUM PROFESSIONAL

MALETÍN DE ALUMINIO PROFESIONAL

30x39cm  
h 44cm

**PT354**



**VASCA VETRORESINA TALETE ELETTRICA**

TALETE ELECTRIC TUB

BAIGN TOILET TALETE ELECTRIQUE

BADEWANNE TALETE ELEKTRISCHEN

BAÑERA DE FIBRA DE VIDRIO RESINA TALETE ELÉCTRICA

142x82x43cm  
h 22,5 - 108cm

**PT549E**



**VASCA INOX COMPLETA**

STAINLESS STEEL TUB FULL  
RÉSERVOIR EN ACIER INOXYDABLE COMPLÈTE  
INOX EDELSTAHL-WASCHBECKEN  
BANERA DE ACERO INOXIDABLE COMPLETA



Made in Italy

ACCESSORI  
ACCESSORIES



**PT548CF**



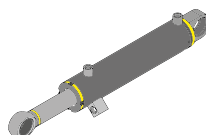
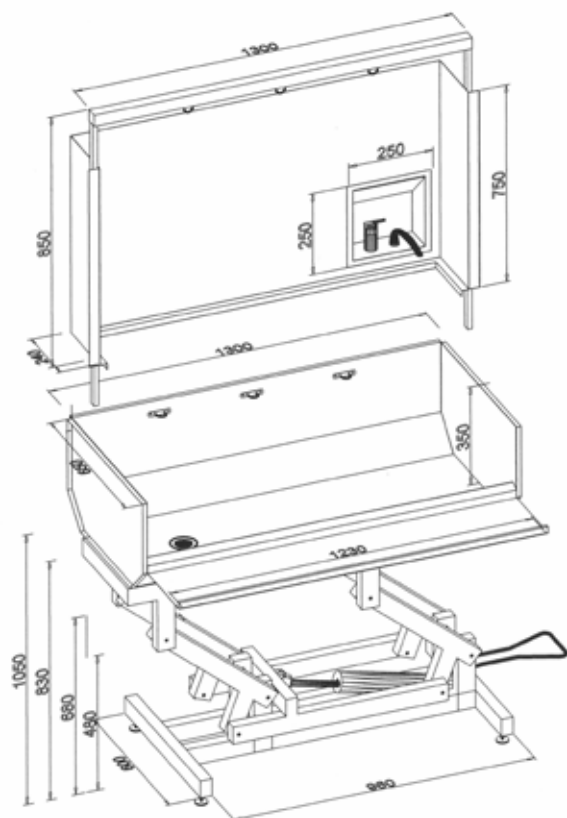
8 014302 208028



**PT548CF-P**



8 014302 238094



**VERSIONE IDRAULICA**  
HYDRAULIC VERSION  
VERSION HYDRAULIQUE  
HYDRAULISCHE VERSION  
VERSIÓN HIDRÁULICA

**PT548I**



8 014302 130763



**VERSIONE ELETTRICA**  
ELECTRIC VERSION  
VERSION ÉLECTRIQUE  
ELEKTRO-VERSION  
VERSIÓN ELÉCTRICA

**PT548IE**



8 014302 213350



**VASCA INOX "SPA" CON SISTEMA OZONO**  
 INOX TUB "SPA" WITH SYSTEM OZONE  
 BAIN INOX "SPA" AVEC SYSTEME OZONE  
 INOX TANK MIT SYSTEM OZON  
 BANERA INOX SPA CON SISTEMA OZONO



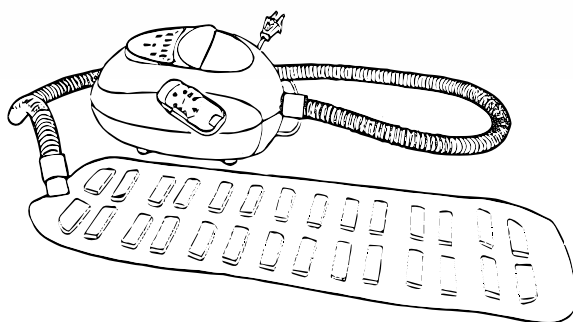
120x78cm  
 h 107cm

**PT547**



8 014302 228231

**!**  
**DISPONIBILE CON MISURE PERSONALIZZATE.**  
 AVAILABLE WITH CUSTOM SIZES  
 DISPONIBLE AVEC DES FORMATS PERSONNALISÉS  
 MIT BENUTZERDEFINIERTEN GRÖSSEN  
 DISPONIBLE CON TAMAÑOS PERSONALIZADOS



**SISTEMA OZONO**

**KIT MOTORE+TAPPETINO**

ENGINE+MAT KIT  
 MOTEUR+TAPIS KIT  
 MOTOR+MATTE KIT  
 MOTOR+ESTERA KIT

**PT547-K**



8 014302 232511

**AQUARELAX** ha come funzione quella di produrre molecole di ozono che vanno ad arricchire il flusso d'aria che produce le bollicine, l'ozono come noto, è in grado di eliminare virus germi e batteri in modo che si possa prevenire la diffusione di malattie e di infezioni

**AQUARELAX** how has the function of producing ozone molecules going to enrich the air flow that produces the bubbles, ozone as known, is able to remove virus germs and bacteria so that you can prevent the spread of diseases and infections

**AQUARELAX** wie hat sich die funktion der erzeugung ozon-moleküle, die zu den luftstrom, der die blasen, ozon bekannt produziert zu bereichern, kann virus keime und bakterien zu entfernen, damit sie können die ausbreitung von zu vermeiden krankheiten und infektionen

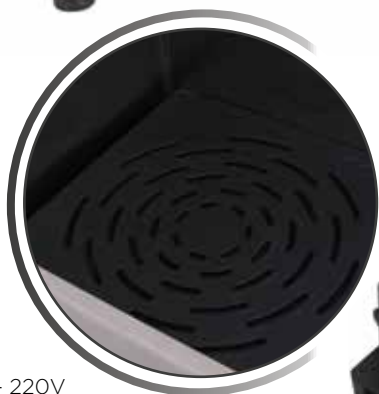
**AQUARELAX** como tiene la función de producción moléculas de ozono va a enriquecer el flujo de aire que produce la burbujas, ozono como se sabe, es capaz de eliminar los gérmenes y bacterias virus para que usted puede prevenir la propagación de enfermedades e infecciones

**AQUARELAX** comment la fonction de produire des molécules d'ozone going d'enrichir le flux d'air qui produit les bulles, ozone comme on le sait, est capable de supprimer germes et les bactéries virus de sorte que vous pouvez prévenir la propagation du maladies et les infections

**VASCA INOX CON BASE ELETTRICA**  
STAINLESS STEEL TUB ELECTRIC BASE  
BAIGN INOX AVEC BASE ÉLECTRIQUE  
INOX BADEWANNE MIT ELEKTRISCHER BASIS  
BAÑERA INOX CON BASE ELÉCTRICA



**NO  
RUST  
ANTI  
RUGGINE**



60W - 220V

127x67cm  
h 40 - 70cm

**PT550E**



8 014302 221539



**VASCA INOX ELETTRICA CON PORTA SCORREVOLE**  
STAINLESS STEEL TUB ELECTRIC SLIDING DOOR  
BAIN INOX ELECTRIQUE PORTE COULISSANTE  
INOX BADEWANNE MIT ELEKTRISCHER SCHIEBETÜR  
BAÑERA INOX CON PUERTA CORREDERA ELÉCTRICA



**NO  
RUST  
ANTI  
RUGGINE**



60W - 220V  
120x60cm  
h 38 - 70cm

**PT550ES**







**PHON A MURO PROFESSIONALE**  
 WALL- HANGING PROFESSIONAL HAIR DRYER  
 SÈCHE-CHEVEUX PROFESSIONNEL MUR  
 PROFESSIONELLER WANDFÖN  
 SECADOR DE PELO PROFESIONAL DE PARED



BRACCIO INCLUSO  
 HOLDER INCLUDED



220V

2 POWER

**1900 3800**  
**WATT WATT**

850m<sup>3</sup>/h

**PT559**



8 014302 123321



**PHON COLONNA PROFESSIONALE**  
 STANDING PROFESSIONAL HAIR DRYER  
 SÈCHE-CHEVEUX PROFESSIONNEL COLONNE  
 PROFESSIONELLER FÖN SPALTE  
 SECADOR DE PELO PROFESIONAL COLUMNA



220V

2 POWER

**1900 3800**  
**WATT WATT**

850m<sup>3</sup>/h

**PT558**



8 014302 123314

PIANTANA INCLUSA  
 HOLDER INCLUDED



**PHON A PIEDISTALLO**

STAND HAIR DRYER  
SÈCHE-CHEVEUX PIÉDESTAL  
STANDFÖN  
SECADOR DE PIE

PT301  
8 014302 162689

**1800  
WATT**



PIANTANA INCLUSA  
HOLDER INCLUDED

**VELOCITÀ DELL'ARIA E TEMPERATURA  
REGOLABILI**

Consuma solo 1800 watt, risparmio di costi  
silenzioso, meno di 40 db  
forma elegante, braccio resistente, oltre 13000 movi-  
menti

**VARIABLE AIR POWER AND TEMPERATURE  
CONTROL**

only 1800 watt, low energy cost running quiet,  
lower than 40 db  
fashion shape designed by italian master abs sur-  
face of the body, resisting harsh chemicals and  
strikes. hanging arm could be lifted and lower for  
approximately 13.000 times.

## PHON A MURO PROFESSIONALE

WALL- HANGING PROFESSIONAL HAIR DRYER  
SÈCHE-CHEVEUX PROFESSIONNEL MUR  
SECADOR DE PELO PROFESIONAL DE PARED  
PROFESSIONELLER WANDFÖN

PT300  
8 014302 162672

**1800  
WATT**

BRACCIO INCLUSO  
HOLDER INCLUDED



IONIC  
SYSTEM

### VELOCITÀ DELL'ARIA E TEMPERATURA REGOLABILI, ADATTO AD OGNI TIPO DI ESIGENZA

- PERMETTE DI ASCIUGARE CON LE MANI LIBERE
- NUOVO DESIGN MOLTO STABILE
- NUOVA TECNOLOGIA, MOLTO SILENZIOSO
- FILTRO FACILE DA PULIRE
- RUOTA A 360°, FUNZIONALE AD OGNI ANGOLATURA

### VARIABLE AIR AND TEMPERATURE CONTROL, SUITABLE FOR ALL KINDS OF BREEDS

- PROVIDE HANDS-FREE FLUFF DRYING
- BALANCED DESIGN PROVIDES BETTER STABILITY
- GREAT TECHNOLOGY BREAKTHROUGH MAKES ITS NOISE MUCH LOWER
- THE FILTER IS EASY TO CLEAN, WITH WASHABLE FOAM
- NOZZLE ROTATES 360°, E-Z TO BE POSITIONED AT ANY ANGLE.

**PULSORE BLASTER CON RESISTENZA**  
DRYER BLASTER WITH HEATER  
PULSEUR BLASTER AVEC RESISTANCE  
TROCKNER BLASTER MIT WIDERSTAND  
SECADOR BLASTER CON RESISTENCIA

**2800  
WATT**



**PIASTRA/PLATE TO FIX/  
PLAQUE À FIXER/FIXIERPLATTE/PLACA**



**PULSORE TYPHOON 2 MOTORI AFFIANCATI**  
DRYER TYPHOON 2 ENGINES SIDE BY SIDE  
PULSEUR TYPHOON 2 MOTEUR SIDE BY SIDE  
TROCKNER TYPHOON 2 MOTORS SEITE DURCH SEITE  
MOTORES SECADOR TYPHOON 2 LADO POR LADO

**3000  
WATT**



**PIASTRA/PLATE TO FIX/  
PLAQUE À FIXER/FIXIERPLATTE  
PLACA**



**PULSORE 2 MOTORI**  
 DUAL MOTOR DRYER  
 PULSEUR 2 MOTEURS  
 TROCKNER 2 MOTOREN  
 SECADOR 2 MOTORES



**PT304**  
**2400**  
**WATT**

**PIASTRA/PLATE TO FIX/**  
 PLAQUE À FIXER/FIXIERPLATTE/  
 PLACA



**PT304P**

**CARBONCINO/CHARCOAL**  
 FUSAIN/HOLZKOHLEN  
 CARBONCILLO



**PT304C**



**PULSORE MONSTER CON RESISTENZA**  
 MONSTER DRYER WITH HEATER  
 PULSEUR MONSTER AVEC RESISTANCE  
 TROCKNER MONSTER MIT WIDERSTAND  
 SECADOR MONSTER CON RESISTENCIA



**PT306**  
**2800**  
**WATT**



2 CARBONCINI  
 2 CHARCOALS  
 2 FUSAINS  
 2 HOLZKOHLEN  
 2 CARBONCILLOS



**PT306C**



PIASTRA PER FISSARE  
 PLATE TO FIX  
 PLAQUE POUR FIXER  
 PLATTE ZU FIXIEREN  
 PLACA DE FIJACION



**PT305P**



TUBO FLESSIBILE  
 FLEXIBLE TUBE  
 TUYAU SOUPLES  
 SCHLAUCHES  
 MANGUERA



**PT305T**

**PULSORE METRO MASTER BLASTER USA**  
 THRUSTER METRO MASTER BLASTER USA  
 METRO PULSEUR MASTER BLASTER USA  
 METRO MASTER BLASTER USA HOCHLEISTUNGSFÖN T  
 METRO EXPULSOR MASTER BLASTER USA



**2200  
WATT**

**PT557**



CARBONCINI  
 CHARCOALS  
 FUSAINS  
 HOLZKOHLEN  
 CARBONCILLOS

**PT556D**



**COLONNA CON RUOTE**  
 COLUMN WITH WHEELS  
 COLONNE AVEC DES ROUES  
 SPALTE MIT RÄDERN  
 PIE CON RUEDAS



**PT305R**



**PT352CR**



**PT353CR**



## TAVOLO DA TOELETTATURA IDRAULICO

IDRAULIC GROOMING TABLE  
IDRAULIC TABLE DE TOILETTAGE  
HYDRAULISCHE TRIMMTISCH  
MESA DE PELUQUERIA HIDRÁULICA

126x65cm  
h 51,5 - 101cm

PT3021



8 014302 162719



STABILE E SOLIDO AD OGNI POSSIBILE REGOLAZIONE D'ALTEZZA  
QUALITÀ DEL SISTEMA IDRAULICO ELEVATA, ANCHE AD UN USO CONTINUO.  
SUPERFICIE ANTISTATICA E DUREVOLE NEL TEMPO  
BORDO ELASTICO IN PVC  
FINITURE IN METALLO, DUREVOLI NEL TEMPO  
SUPERFICIE REMOVIBILE E FACILE DA PULIRE.

ROCK-SOLID AT ANY ADJUSTED HEIGHT, FROM 51.5-101 CM  
OUTSTANDING QUALITY OF HYDRAULIC PUMP, CONTINUOUSLY USED  
SILVER VAIN SURFACE, ANTISTATIC BAKED EPOXY FINISH FOR DURABILITY  
UNIQUE "Z" SHAPE DESIGN ELIMINATES WOBBLING AND TIPPING  
ELASTIC PVC EDGING  
ALL METAL-EDGE, DURABLE AND LONG-LASTING  
REMOVABLE DESKTOP AND EASY TO CLEAN.

126x65cm  
h 65,5 - 106cm

PT302E



## TAVOLO DA TOILETTATURA ELETTRICO

ELECTRIC GROOMING TABLE  
ELECTRIC TABLE DE TOILETTAGE  
ELEKTRISCHER TRIMMTISCH  
MESA DE PELUQUERIA ELÉCTRICA



Double rubber layer  
Rivestimento in gomma doppio



STABILE E SOLIDO AD OGNI POSSIBILE REGOLAZIONE D'ALTEZZA  
QUALITÀ DEL SISTEMA IDRAULICO ELEVATA, ANCHE AD UN USO CONTINUO.  
SUPERFICIE ANTISTATICA E DUREVOLE NEL TEMPO  
BORDO ELASTICO IN PVC  
FINITURE IN METALLO, DUREVOLI NEL TEMPO  
SUPERFICIE REMOVIBILE E FACILE DA PULIRE.

ROCK-SOLID AT ANY ADJUSTED HEIGHT, FROM 51.5-101 CM  
OUTSTANDING QUALITY OF HYDRAULIC PUMP, CONTINUOUSLY USED  
SILVER VAIN SURFACE, ANTISTATIC BAKED EPOXY FINISH FOR DURABILITY  
UNIQUE "Z" SHAPE DESIGN ELIMINATES WOBBLING AND TIPPING  
ELASTIC PVC EDGING  
ALL METAL-EDGE, DURABLE AND LONG-LASTING  
REMOVABLE DESKTOP AND EASY TO CLEAN.





Made in Italy



### TAVOLO TOELETTA PIEGHEVOLE CON RUOTE

FOLDING GROOMING TABLE WITH WHEELS

TABLE DE TOILETTAGE PLIANT AVEC ROUES

FALTUNG TOILETRIES TABELLE MIT RÄDER

MESA PLEGABLE CON RUEDAS

100x 60cm  
h 80 cm

**PT135**



### TAVOLO TOELETTA FISSO

FIXED GROOMING TABLES

TABLE DE TOILETTAGE FIXÉ

FESTGESETZ TOILETRIES TABELLE

MESA FIJA

120x 60cm  
h 80 cm

**PT132**



**TAVOLO DA TOELETTATURA IDRAULICO**

HYDRAULIC GROOMING TABLE  
 TABLE DE TOILETTAGE HYDRAULIQUE  
 HYDRAULISCHE VERSTELLBARE TRIMMTISCHE  
 MESA DE PELUQUERIA HIDRAULICA

120 x 60 cm

**PT130A**



**TAVOLO DA TOELETTATURA ELETTRICO**

ELECTRIC GROOMING TABLE  
 ELECTRIC TABLE DE TOILETTAGE  
 ELEKTRISCHER TRIMMTISCH  
 MESA ELÉCTRICA

120 x 60 cm

**PT130**



**TAVOLO A BATTERIA CON COLONNA GIREVOLE**

GROOMING TABLE WITH SWIVEL COLUMN  
 TABLE TOILETTAGE AVEC COLONNE DE PIVOTEMENT  
 TRIMMTISCH MIT DREHSÄULE  
 MESA CON LA COLUMNA GIRATORIA

Batteria tedesca garantita a vita  
 German battery life guaranteed  
 Batterie allemande garantie pour la vie  
 Deutsch-Batterie für das Leben garantiert  
 Bateria alemán garantizado de por vida

piano  
 107x60cm  
 h max 90cm  
 min 60cm

**PT131**





## TAVOLO IDRAULICO ROTONDO

HYDRAULIC ROUND TABLE  
 TOUR TABLE HYDRAULIQUE  
 HYDRAULISCHER VERSTELLBARER RUNDER  
 MESA HIDRAULICA REDONDA

SUPERFICIE CON NERVATURE, DI GOMMA, ROTONDA, SOLIDA, ANTISCIVOLO, OMNIDIREZIONALE RUOTA A 360° CON BLOCCO DI POSIZIONE PER UN ACCESSO OTTIMALE A TUTTO L'ANIMALE.

THE WORK SURFACE IS ROUND, SOLID, NON SLIP, OMNI-DIRECTIONAL RIBBED RUBBER-WILL NOT SHRINK OR LOOSEN IT SWIVELS 360° FOR EASY ACCESS TO THE ENTIRE PET, AND BRAKES IN PLACE.

dimensione - size  
 ø 70 cm  
 h min 71,5 cm, h max  
 84 cm

**PT151**



## TAVOLO IDRAULICO ROTONDO CON CASSETTI

HYDRAULIC ROUND TABLE WITH DRAWERS  
 TOUR TABLE HYDRAULIQUE AVEC TIROIRS  
 HYDRAULISCHER VERSTELLBARER RUNDER TRIMMTISCH MIT SCHUBLADEN  
 MESA HIDRAULICA REDONDA CON CAJONES

DESIGN PRATICO PER LE FACCENDE DI TUTTI I GIORNI 3 CASSETTI E UN PICCOLO VANO CON SPORTELLI PER APPOGGIARE OGNI SORTA DI ACCESSORIO.  
 VERY PRACTICAL DESIGN FOR GROOMER'S DAILY OPERATION THREE DRAWERS AND ONE SMALL CABINET IS USEFUL WHEN THE GROOMER WANT TO COLLECT AND SORT HANDHELD DRYERS, COMBS, SHEARS, CLIPPERS AND ANY OTHER TOOLS.



dimensione - size  
 ø 70 cm  
 h min 75 cm, h max  
 89 cm

**PT152**



**TAVOLO SALVASPAZIO CON ARMADIO**  
 SAVE-SPACE TABLE WITH CABINET  
 TABLEAU GAIN PLACE AVEC CABINET  
 TISCH MIT PLATZ SPAREN DEN SCHRANK  
 MESA CON GABINETE PARA AHORRAR ESPACIO



110x60 cm  
 h 80 cm

**PT150**



4 porte / doors  
 90 x 65 x 93 cm

**PT100**



**TROLLEY PIEGHEVOLE DA MOSTRA IN ALLUMINIO**

FOLDING EXHIBITION ALUMINIUM TROLLEY  
 ALUMINIUM CHARIOT POUR EXPOSITION PLIAGE  
 FALTEN AUSSTELLUNG ALUMINIUM-TROLLEY  
 MODULO DE ALUMINIO PARA EXPOSICIÓN PLEGABLE

**RECINTO PER CANI ESAGONALE IN ALLUMINIO**

HEXAGONAL FENCE OF ALUMINUM  
GRILLAGE HEXAGONAL EN ALUMINIUM  
ZAUN HEXAGONAL ALUMINIUM  
CERCA DE ALUMINIO HEXAGONAL

71x23cm  
h 62cm

**PT315**



**RECINTO PER CANI QUADRATO IN ALLUMINIO**

SQUARED FENCE OF ALUMINUM  
GRILLAGE CARRÉ EN ALUMINIUM  
QUADRAT ZAUN ALUMINIUM  
CARCA DE ALUMINIO CUADRADO



120x120cm  
h 90cm

**PT316**



**BRACCIO PER TAVOLO TOELETTATURA**

GROOMER'S THIRD ARM FOR GROOMING TABLE  
BRAS POUR TABLE DE TOILETTAGE  
TRIMMTISCHARM  
BRAZO PARA MESA DE ASEO



+



**PT302B**



**BRACCIO PER TAVOLO**

ARM TABLE  
ARM POUR TABLEAU  
ARMES TABELLE  
BRAZO PARA MESA



100 cm

**PT135B**



Made in Italy

**MORSETTO**

CLAMP  
CRAMPON  
KLEMME  
ABRAZADERA

**PT135BM**



**BRACCIO PER TAVOLO TOELETTATURA DOPPIO**

DOUBLE ARM FOR GROOMING  
BRAS POUR TOILETTAGE DOUBLE  
DOPPELTER TRIMMTISCHARM  
BRAZO DOBLE



**PT153B**



**CASSETTO PORTA OGGETTI TAVOLO TOELETTATURA**

DRAWER COMPARTMENT FOR GROOMING TABLE  
TIROIR BOÎTE À GANTS D/TABLE TOILET  
HANDSCHUHFACH FÜR TRIMMTISCH  
GUANTERA PARA MESA DE ASEO



25x10x4,5cm

**PT160**



### GREMBIULE TOELETTATURA NERO

DOG GROOMING APRON BLACK  
TABLIER TOILETTAGE NOIR  
PFLEGE SCHÜRZE SCHWARZ  
ASEO DELANTAL NEGRO

SIZE M

**ABT06**



8 014302 216696

LUNGHEZZA / LENGTH 78 CM  
LARGHEZZA / WIDTH 51 CM  
SPALLE / SHOULDERS 42 CM



### GREMBIULE DA TOELETTATURA

GROOMERS APPAREL WITH SLEEVES  
TOILETTEURS VÊTEMENTS À MANCHES  
HEMDEN FELLPFLEGE MIT ÄRMELN  
ROPA IMPERMEABLE CON MANGAS



SIZE L  
Con tasche

**ABT10**



8 014302 245481

SIZE L  
No tasche no maniche

**ABT11**



8 014302 245498



**PANNO PER ASCIUGARE ANIMALI**

TOWEL FOR ANIMALS  
CHIFFON POUR SÉCHER ANIMAUX  
HANDTUCH FÜR HUNDE  
PAÑO PARA SECAR ANIMALES



65x45cm



**LACCIO NYLON**

NYLON STRAP  
TOURNIQUET DE NYLON  
NYLON-LACE  
TORNQUETE DE NYLON



PT310



**LACCIO ACCIAIO E GOMMA SEMPLICE**

STEEL AND RUBBER SIMPLE STRAP  
BRACELET EN ACIER ET CAOUTCHOUC SIMPLIS  
STAHL UND KAUTSCHUK EDELSTAHLARM BAND EINFACHE  
TORNQUETE DE ACERO Y GOMA SENCILLO

3mm

PT311



**LACCIO ACCIAIO CON GOMMA DOPPIO**

STEEL AND RUBBER DOUBLE STRAP  
TOURNIQUET DOUBLE EN ACIER ET L CAOUTCHOUC  
LACE STAHL UND KAUTSCHUK DOPPELT  
TORNQUETE DE ACERO Y GOMA DOBLE



3mm

PT312



**LACCIO ACCIAIO TOILETTA**

STEEL AND RUBBER DOUBLE STRAP  
TOURNIQUET DOUBLE EN ACIER ET L CAOUTCHOUC  
LACE STAHL UND KAUTSCHUK DOPPELT  
TORNQUETE DE ACERO Y GOMA DOBLE

3mm

PT351







**SHAMPOO ALLA LAVANDA E CAMOMILLA**  
 LAVENDER AND CHAMOMILE SHAMPOO  
 DE LAVANDE ET DE CAMOMILLE SHAMPOOING  
 LAVENDEL UND KAMILLE-SHAMPOO  
 LAVANDA Y MANZANILLA CHAMPÚ

532 ml.

78699-401



5 060134 333769

**SHAMPOO AL MELOGRANO**  
 POMEGRANATE SHAMPOO  
 SHAMPOOING GRENADE  
 GRANATAPFEL SHAMPOO  
 CHAMPÚ GRANADA

532 ml.

78699-402



5 060134 333783



**SHAMPOO AL LATTE DI COCCO**  
 SHAMPOO COCONUT MILK  
 SHAMPOOING AU LAIT DE COCO  
 SHAMPOO KOKOSMILCH  
 CHAMPÚ LECHE DE COCO

532 ml.

78699-403



5 060134 333806

**SHAMPOO AL CETRIOLO E CITRONELLA**  
 CUCUMBER AND LEMONGRASS SHAMPOO  
 CONCOMBRE ET À LA CITRONNELLE SHAMPOOING  
 GURKE UND ZITRONENGRAS SHAMPOO  
 PEPINO Y CHAMPÚ LEMONGRASS

532 ml.

78699-404



5 060134 333820





**SHAMPOO IPOALLERGENICO**  
 HYPOALLERGENIC SHAMPOO  
 SHAMPOOING HYPOALLERGÉNIQUE  
 HYPOALLERGENE SHAMPOO  
 CHAMPÚ HIPOALERGÉNICO  
 3,78 L



**SHAMPOO ALLA CILIEGIA**  
 SHAMPOO CHERRY  
 SHAMPOOING CERISE  
 SHAMPOO KIRSCH  
 CHAMPÚ CEREZA  
 3,78 L



**SHAMPOO TUTTE LE RAZZE**  
 SHAMPOO ALL RACES  
 SHAMPOOING TOUTES LES RACES  
 SHAMPOO ALLE RASSEN  
 CHAMPÚ TODAS LAS RAZAS  
 3,78 L



**BALSAMO ALLA MELA VERDE**  
 GREEN APPLE CONDITIONER  
 POMME VERTE APRÈS-SHAMPOOING  
 GRÜNER APFEL HAARSPÜLUNG  
 ACONDICIONADOR VERDE MANZANA  
 3,78 L



## SPAZZOLA CARDATORE AUTOMATICA

AUTOMATIC SLICKER BRUSH  
BROSSE CARDEUR AUTOMATIQUE  
PINSEL KREMPLER AUTOMATISCH  
CARDA AUTOMÁTICA



La spazzola cardatore automatica riduce il tempo di spazzolatura fino a 1/5 del tempo che normalmente avete bisogno per spazzolare manualmente il vostro cane.

I peli, la sporcizia o la forfora che potrebbero venire fuori dal vostro cane spariranno immediatamente, senza lasciare sporco dietro e assicurandosi che la spazzola rimanga pulita durante tutto il processo di spazzolatura.

L'unica cosa che bisogna realmente fare è passare lentamente la spazzola attraverso il pelo del tuo cane e sarà automaticamente spazzolato e liberato da tutti i grovigli.

La spazzola ridurrà notevolmente il periodo di muta dei cani, garantendo una caduta minore dei peli nella tua casa. Un vero e proprio pennello miracoloso che migliorerà la tua esperienza di spazzolatura come abbiamo fatto!

The automatic brush reduces the brushing time up to 1/5 of the time that you normally will need to manually brush your dog. The hair, dirt or dandruff that might come off your dog will disappear into the hover, leaving no dirt behind and ensuring that the brush will stay clean longer during the whole brushing process.

The only thing that you really need to do is slowly taking the brush through your dog's hair and it will be automatically brushed and freed from any tangles.

The brush will significantly shorten the moult period of dogs, ensuring less hair fall in your home. A real miracle brush that will improve your brushing experience as did ours!



PTTS200



8 014302 25299 1

### CALZETTE

SOCKS  
CHAUSSETTES  
SOCKEN  
CALCETINES

4PZ/PCS



SMALL

MEDIUM

LARGE



ABF33/S-AR



8 014302 192310

ABF33/M-AR



8 014302 192327

ABF33/L-AR



8 014302 192334



ABF33/S-AZ



8 014302 197568

ABF33/M-AZ



8 014302 197537

ABF33/L-AZ



8 014302 197506



ABF33/S-N



8 014302 197575

ABF33/M-N



8 014302 197544

ABF33/L-N



8 014302 197513



ABF33/S-RA



8 014302 197582

ABF33/M-RA



8 014302 197551

ABF33/L-RA



8 014302 197520

### STIVALETTO ROSSO

RED BOOT  
BOTTE ROUGE  
ROTE STIEFEL  
BOTÍN ROJO

4PZ/PCS

2,9x2,3cm

3,5x2,7cm

AB601/1

AB601/2



8 014302 180478



8 014302 180485

4x3,1cm

5x4cm

AB601/3

AB601/4



8 014302 180492



8 014302 180508

6x4,8cm

AB601/5



8 014302 180515



### MOONBOOT

4PZ/PCS

5,1x3,8cm

AB602/1



8 014302 180522

5,5x4,1cm

AB602/2



8 014302 180539

5,8x4,4cm

AB602/3



8 014302 180546

6,3x4,8cm

AB602/4



8 014302 180553

6,7x5,1cm

AB602/5



8 014302 207762



**SNEAKERS**

4PZ/PCS

4,6x3,5cm

**AB600/1**



8 014302 207779

5x3,8cm

**AB600/2**



8 014302 180423

5,4x4,1cm

**AB600/3**



8 014302 180430

5,8x4,5cm

**AB600/4**



8 014302 180447

6,2x4,8cm

**AB600/5**



8 014302 180454



4,6x3,5cm

**AB604/1**



8 014302 207786

5x3,8cm

**AB604/2**



8 014302 207793

5,4x4,1cm

**AB604/3**



8 014302 207809

5,8x4,5cm

**AB604/4**



8 014302 207816

6,2x4,8cm

**AB604/5**



8 014302 207823

**SCARPETTA NEOPRENE ANTISCIVOLO TECH**

TECH NON-SLIP NEOPRENE SHOE

CHAUSSURES TECH EN NÉOPRÈNE ANTIDÉRAPANT

RUTSCHFESTEN TECH NEOPRENSCHUH

ZAPATA NEOPRENO ANTIDESLIZANTE TECH

4PZ/PCS

5,8x5,1cm

**AB605/XS**



8 014302 207830

6,4x5,7cm

**AB605/S**



8 014302 207847

7,1x6,4cm

**AB605/M**



8 014302 207854

7,7x7m

**AB605/L**



8 014302 207861

8,3x7,6cm

**AB605/XL**



8 014302 207878

9x8,3cm

**AB605/XXL**



8 014302 207885



**POLACCHINO NERO**

BLACK ANKLE BOOT

BOTTILLONS NOIR

STIEFELETTEN SCHWARZ

BOTÍN NEGRO

4PZ/PCS

3,5x2,7cm

**AB603/2**



8 014302 180560

4,4x3,8cm

**AB603/3**



8 014302 180577

5,4x4,5cm

**AB603/5**



8 014302 180584

6x5cm

**AB603/6**



8 014302 180591

7x5,8cm

**AB603/8**



8 014302 180607

7,9x6,7cm

**AB603/10**



8 014302 180614